



### Features

- Low current requirements
- High light output
- Reliable and rugged
- IC. compatible

### Recommended Maximum Ratings

Reverse voltage	5.0V
D.C. forward current	30mA
Pulse current (10% duty cycle 0.1ms pulse width)	100mA
Operating temperature range	-25°C to +85°C
Storage temperature range	-25°C to +100°C
Lead soldering temperature (1.6mm from body)	+260°C for 5 secs.

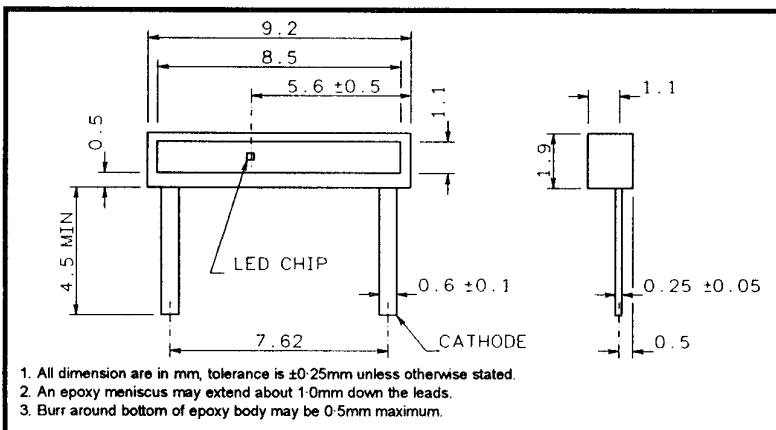
(Ta=25°C)

### Electrical & Optical Characteristics

Part Number	L.E.D. Chip		Lens Colour	Peak Wavelength @20mA(nm)	Forward Voltage @20mA(V)		Luminous Intensity @20mA(mcd)		View Angle 2θ ½ (deg)
	Material	Emitting Colour			TYP.	MAX.	MIN.	TYP.	
L 03 B 9219 N 4 M	GaAsP on GaP	Yellow	Yellow Clear	585	2.1	3.0	6.1	10.1	52°
L 04 B 9219 N 4 M	GaAsP on GaP	Orange	Orange Clear	635	2.1	3.0	8.5	14.2	52°
L 4R B 9219 N 4 M	GaAsP on GaP	Hi-Eff. Red	Red Clear	635	2.1	3.0	8.5	14.2	52°
L 05 B 9219 N 4 M	GaP	Red	Red Clear	700	2.1	3.0	1.9	4.7	52°
L PG B 9219 N 4 M	GaP	Pure Green	Green Clear	555	2.1	3.0	2.5	4.1	52°

(Ta=25°C)

### Package Dimensions



### Radiation Pattern

